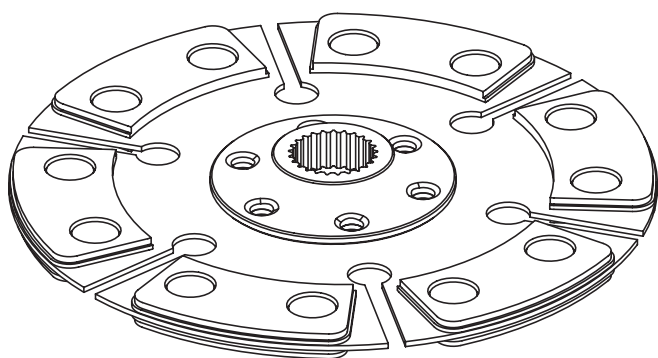


rally drive plates

184mm / 7.25"

KEY FEATURES AND BENEFITS

- **Optimised design**
Low weight and moment of inertia
- **Optimised hub length**
Low inertia with minimum input shaft wear
- **Cermetallic material**
High energy capacity
- **Interchangeability with other manufacturers' plates**



184MM Ø				
SPLINE SIZE				
NOMINAL	Ø	TEETH	PRODUCT REF	NO PADS
3/4" x 17	19.1	17	KDC720615X001	6
0.8" x 24	20.5	24	KDC720632X001	6
21 x 18	21.1	18	KDC720417X003	4
22 x 26	22.0	26	KDC720635X001	6
7/8" x 20	22.2	20	KDC720625X005	6
24.25 x 21	24.3	21	KDC720427X002	4
1" x 22	25.4	22	KDC720429X001	4
1" x 23	25.4	23	KDC720630X003	6
1" x 24	25.4	24	KDC720633X002	6
1 1/8" x 10	28.6	10	KDC720406X001	4
29 x 10	29.0	10	KDC720610X001	6
1 5/32" x 26	29.5	26	KDC720636X001	6
1 1/4" x 10	31.8	10	KDC720607X001	6