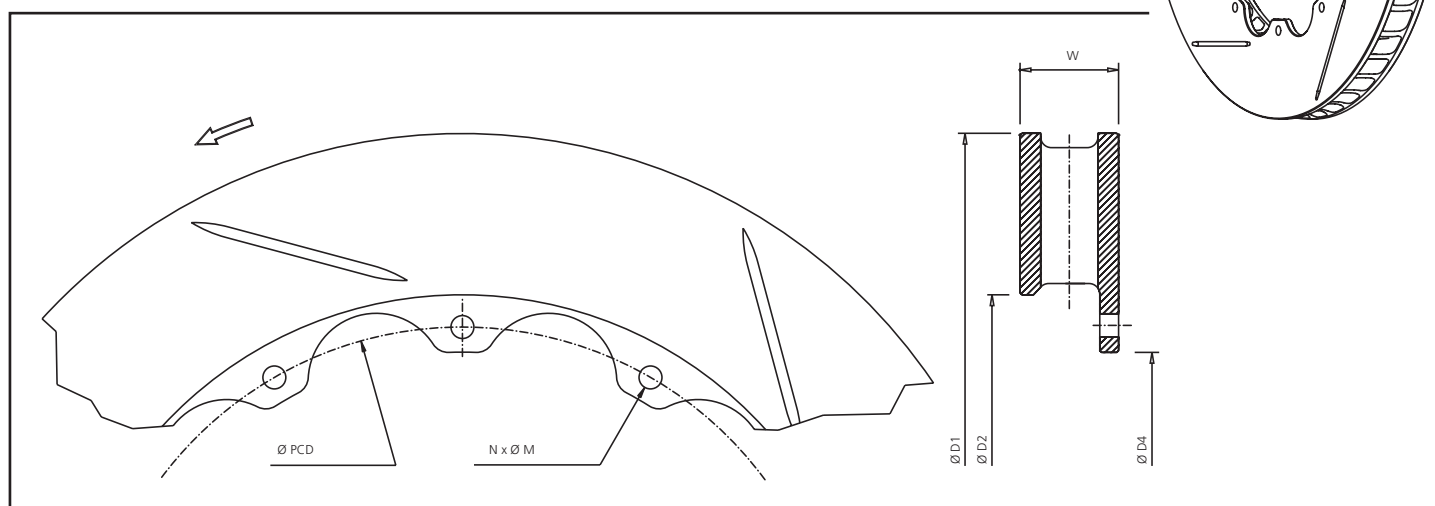
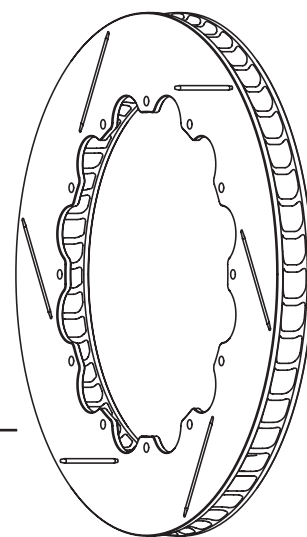


KEY FEATURES AND BENEFITS

- Cast iron alloy unique to Alcon**
 Increased friction, resistance to thermal shock and wear performance
- Curved vanes for increased airflow**
 Optimised cooling
- Grooved friction face**
 Aids removal of pad dust and gases



ADVANTAGE REF	D1	W	D2	N	Ø M	PCD	D4	F	OFFSET	AIR GAP	VANES	GROOVES	KG
DV256/25/47-6/139L/R	256	25.4	162.5	6	6.4	139.7	125.7	4.6	-	10	48	6	3.8
DV267/21/56-6/139L/R	267	21	154.9	6	6.4	139.7	125.7	4.6	-	10	48	6	3.3
DV280/23/44-8/177L/R	280	22.9	192.7	8	6.4	176.7	159	4.6	-	10	48	6	3.7
DV280/25/53-8/159L/R	280	25.4	174	8	6.4	158.7	141	4.6	-1.1	10	48	6	4.7
DV295/25/53-12/178L/R	295	25.4	189	12	6.4	177.8	164.3	4.5	-	14.7	48	6	4.1
DV295/28/53-12/178L/R	295	28	189	12	6.4	177.8	164.3	5.5	-	14.7	48	6	4.8
DV304/25/51-12/178L/R	304	25.4	203	12	6.4	177.8	164.3	4.6	-	14.7	48	6	4.3
DV304/28/55-12/178L/R	304	28	195	12	6.4	177.8	164.3	5.5	-	14.7	48	6	5.3
DV315/28/50-12/203L/R	315	28	215	12	6.4	203.2	190.5	5	-	16.3	48	6	4.9
DV325/28/53-12/203L/R	325	28	220	12	6.4	203.2	190.5	5	-	16.3	48	6	5.4
DV330/32/55-12/203L/R	330	32	220	12	6.4	203.2	190.5	6	-	16.3	48	6	6.9
DV343/28/55-12/218L/R	343	28	233	12	6.4	218	204	5.5	+1	18	48	6	5.6
DV355/28/54-12/235L/R	355	28	248	12	6.4	235	222	5.5	+2	18	48	6	5.7
DV355/32/54-12/235L/R	355	32	248	12	6.4	235	222	6	-	18	48	6	7.1
DV378/32/48-12/260L/R	378	32	282	12	6.4	260.3	244	6	-	18	48	6	6.9